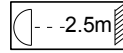


**READ ALL CAUTIONS AND WARNING TO OPERATE THIS EQUIPENT.**

**INSTRUCTION TO PREVENT INJURY OR DAMAGE DUE TO ELECTRIC SHOCK,FIRE,MECHANICAL HAZARDS.**

- Live work is forbidden.
- Installation by professional staff.
- Change product structure is forbidden.
- Please contact supplier once meet some problems..
- This product should be installed by a full certified electrician in accordance with local building and electrical codes
- Failure to properly support the fixture during installation may cause damage or injury, for which the manufacturer is not responsible. Ensure the light bracket/eye bolt is securely mounted and will support the weight of the fixture.
- When the LED StreetLight is on, ensure that a minimum distance of 2.5m between the lamp and the illuminated surface is respected, as indicated by the relative symbol.



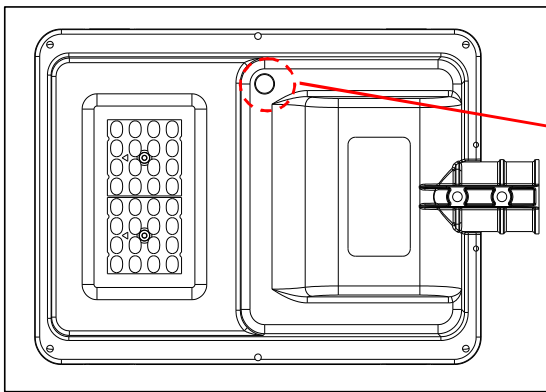
**• PROTECTION AGAINTS FIRE**

Characteristics

- Model: 6W/12W/18W
- System Voltage:3.2V
- Relative humidity below 95%
- Application :Road /Street /Parking Lot...
- Temperature (-30~+50°C)
- Used in the place without severe vibration, shock and shake

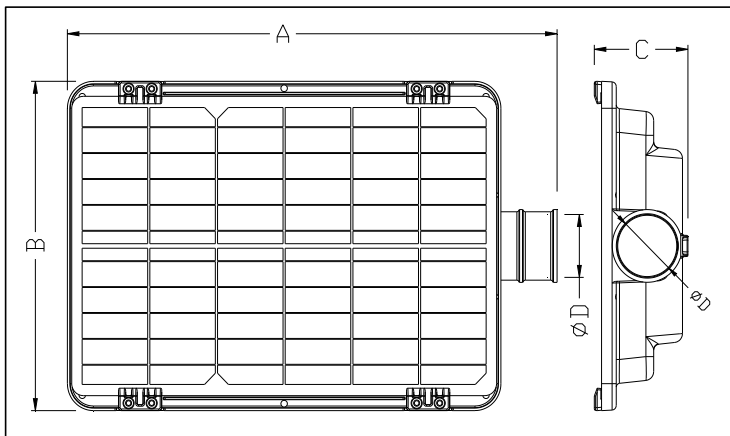
**• FIXTUR MOUNING INSTRUCTION**

Pole Size=Φ40~60mm



Switch on the ON button when installation is done.  
ON/OFF Switch  
**\*For permanent shutdown,press the OFF switch**

**Dimension Diagram**



Housing Model	Power (W)	Casing Dimension(mm)				Screw Size	Max surface exposed to the wind (m <sup>2</sup> )	Packing(cm)	Pcs/ctn
		a	b	c	d				
	6W	340	220	65	42	M8	0.07	22x12.5x3.8cm	1
	12W	440	255	76	52	M8	0.11	44.5x26x8.5cm	1
	18W	550	255	87	62	M8	0.14	55.58x26x9.7cm	1