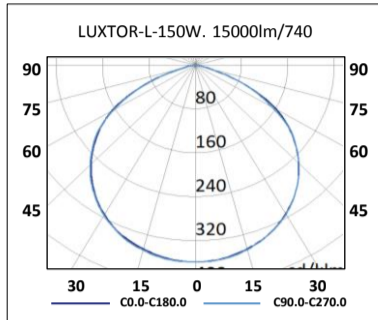




# PROJECTORS IP65 • LED



## PROJECTOR LED LUXTOR 150W, 200W

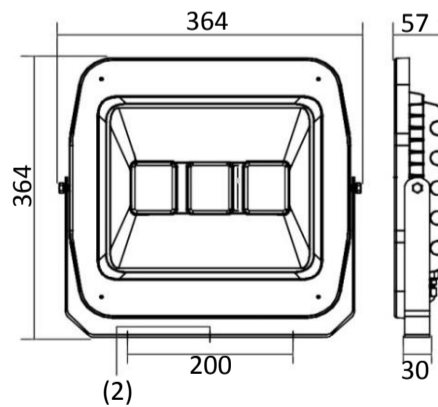


<b>Mounting</b>	Surface.	
<b>Light source</b>	SMD plates (multichip)	
<b>Optical system</b>	Reflector.	
<b>Light distribution</b>	Direct.	
<b>Wiring</b>	Electronic control gear (EEI=A+). PF>0,95	
<b>Material</b>	Body: Die-cast aluminum, wide fins and dissipation surface. Reflector: White lacquered polycarbonate with maximum luminous efficiency. Cover: Anti-glare microprism glass.	
<b>Surface finish</b>	Body: Grey colour. Reflector: White lacquered polycarbonate with maximum luminous efficiency. Cover: Tempered microprism glass.	
<b>Benefits</b>	LED luminaire with integrated electronic control gear. Colour rendering index Ra>70. Average service life > 30.000 hours. No maintenance required. No infrared or UV radiation. Easy installation.	

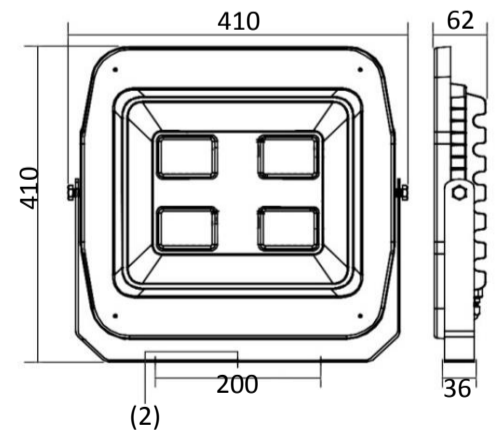
20000  
lm
100  
lm/W
>70  
Ra



**LUXTOR-L-150W.  
15000lm/740**



**LUXTOR-XL-200W.  
20000lm/740**



CODE	REFERENCE	Kg.	Light output lm	Power W	Efficiency LED module + Driver lm/W	Colour rendering index CRI (Ra)	Colour temperature CCT (K)	Cooling	Replace to lamp
PLT060L150	LUXTOR-L-150W. 15000lm/740	(3,7)	15000	150	100	>70	4000	Passive	250W. HIT
PLT070L200	LUXTOR-XL-200W. 20000lm/740	(4,7)	20000	200	100	>70	4000	Passive	400W. HIT